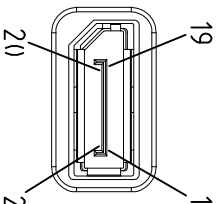


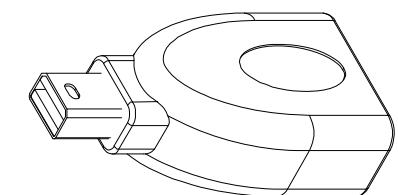
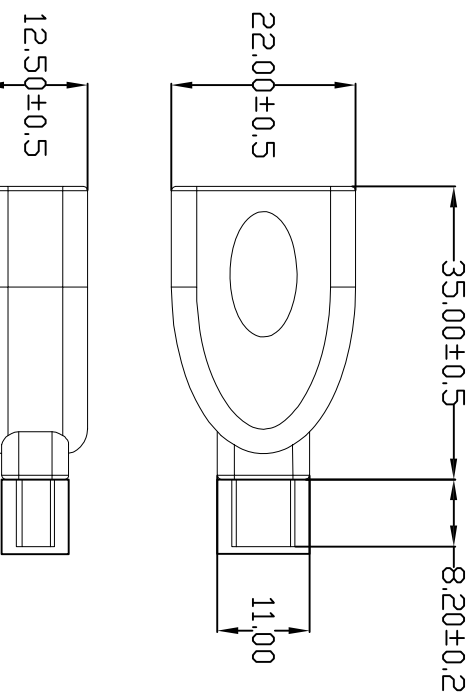
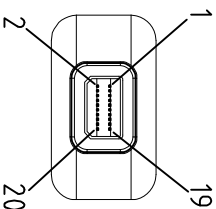
RoHS Compliant

REV.	DESCRIPTION	DATE
A0	INITIAL RELEASE	2012-11-13

DISPLAYPORT FEMALE



MINI DISPLAYPORT MALE



19
20

1
2

12.50±0.5

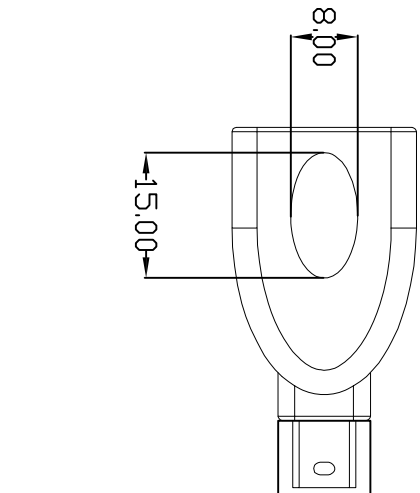
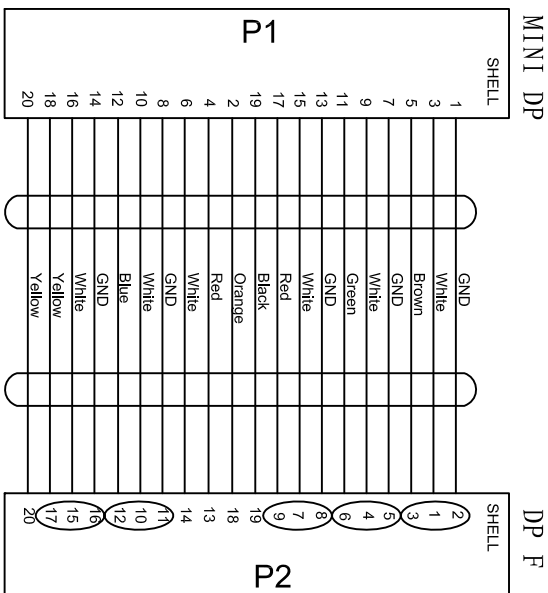
22.00±0.5

35.00±0.5

11.00

8.00

15.00



- NOTES:
1. ELECTRICAL PROPERTIES:
Audio & Video test, Output resolution:
1920*1080 P
 2. All material be ROHS compliant.

NO.	Material name	Item number	Specifications Description	Quantity
1	Cable	DP0-55-3201	JACKET PVC WHITE. OD=5.5±0.20mm L=50mm	1 Pcs
2	Connector	CN-G0001	Mini DP (M), gold-plated	1 Pcs
3	Connector	CN-G0077	DP (F)+PCB, gold-plated	1 Pcs
4	PE	PF-0001	LDPE (RoHS)	2.10g
5	PVC	PVC-0001	60P PVC Black	6.60g
6	Dust cap	OR-0007	Mini DP Dust cap	1 Pcs

图号 (DWG NO)	XY-A0653	单位(UNIT):	MM
版次 (REV):	A0	比例 (SCALE):	1:1
页次 (PAGE):	1/1	设计 (DESIGN):	Dean
审核 (CHECKED)		核准 (APPROVED)	



品名 (ITEM NO)	Mini DP to DP Adapter
料号 (PART NO)	MDP-DP

公差 (TOLERANCE UNSPECIFIED)	±0.25
XXX	±0.15
XX	±0.05
XX*	±0.02
XXX*	±0.01